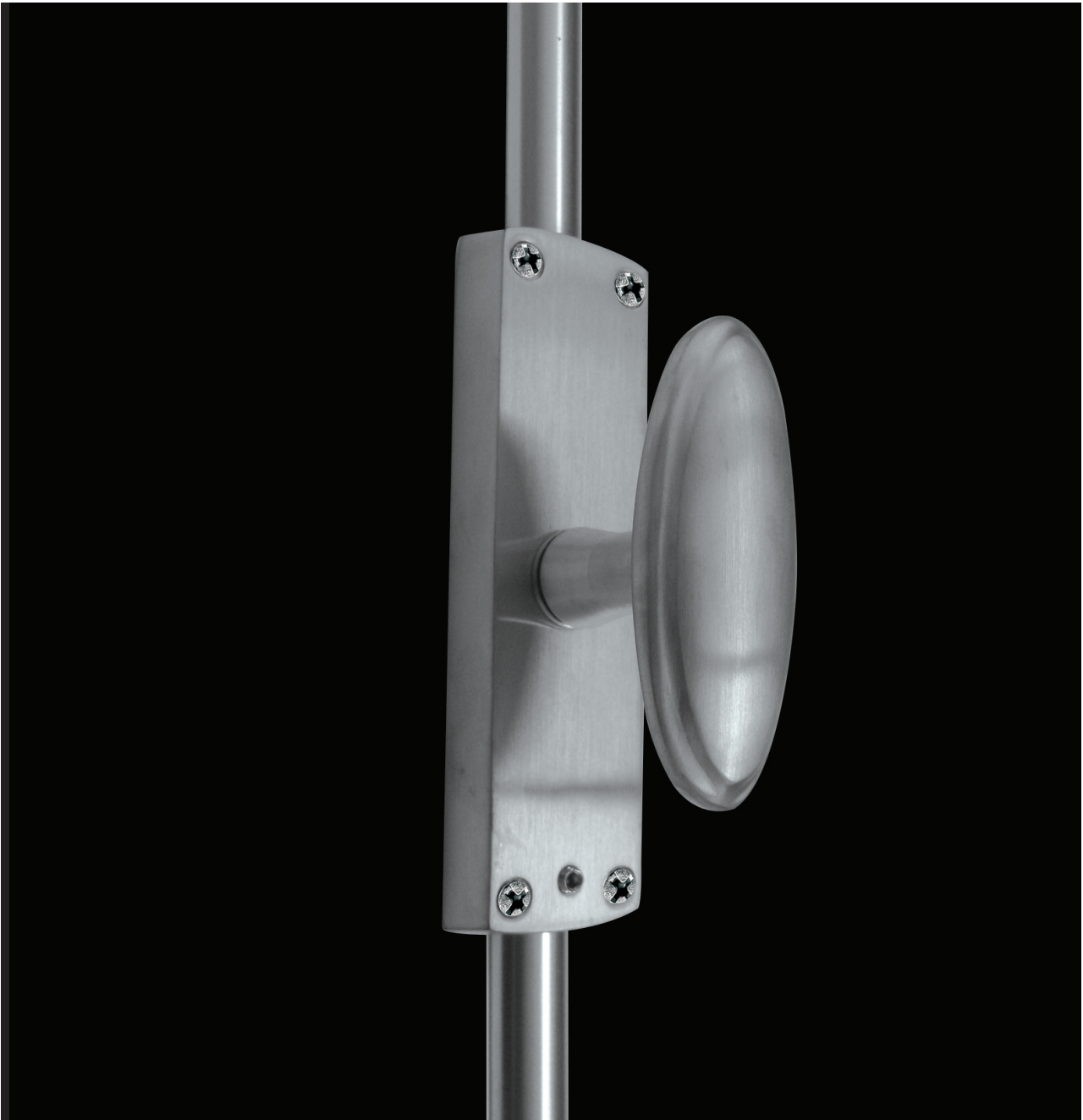


**FITTING INSTRUCTIONS**



**ESPAGNOLETTE BOLT JV1000**

# Fitting instructions

## Espagnolette Bolt JV1000

### Standard inward opening fixing detail for Espagnolette Bolt JV1000

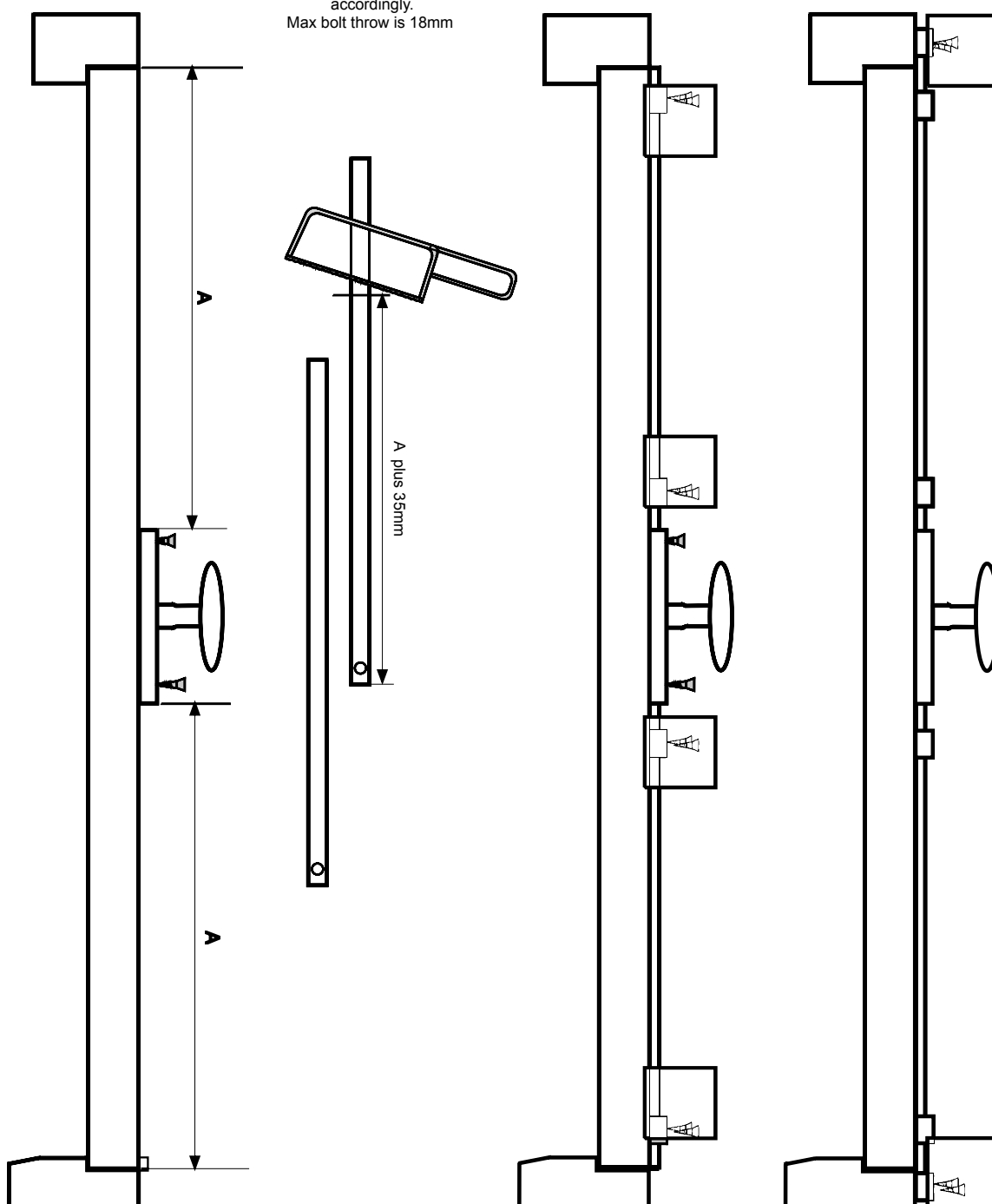
1  
Attach handle to door in desired position, measure distance between top & bottom of handle and edge of door.

2  
Adding 35mm to the measurement, cut bars to length.

PLEASE NOTE  
If gap between door and frame exceeds 10mm the above measurement should be increased accordingly.  
Max bolt throw is 18mm

3  
loosen handle, connect bars to mechanism using the hole in the bar, refix handle and ensuring bars are straight attach guides.

4  
Throw the bolt by turning the oval knob 180o, attach top & bottom keeps.



# Fitting instructions

## Espagnolette Bolt JV1000

### Standard inward opening fixing detail for Espagnolette Bolt JV1000

1  
Attach handle to door in desired position, measure distance between top & bottom of handle and edge of door.

2  
Adding 35mm to the measurement, cut bars to length.

PLEASE NOTE  
If gap between door and frame exceeds 10mm the above measurement should be increased accordingly.  
Max bolt throw is 18mm

3  
loosen handle, connect bars to mechanism using the hole in the bar, refix handle and ensuring bars are straight attach guides.

4  
Throw the bolt by turning the oval knob 180°. attach top & bottom keeps.

