

FRELAN
HARDWARE



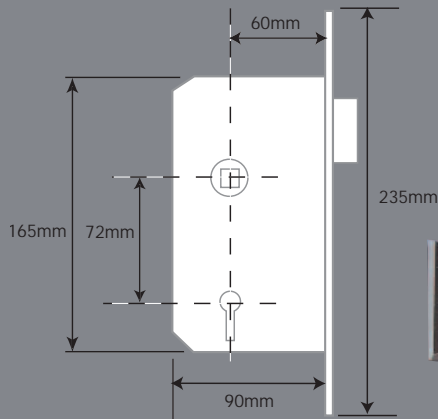
Jedo



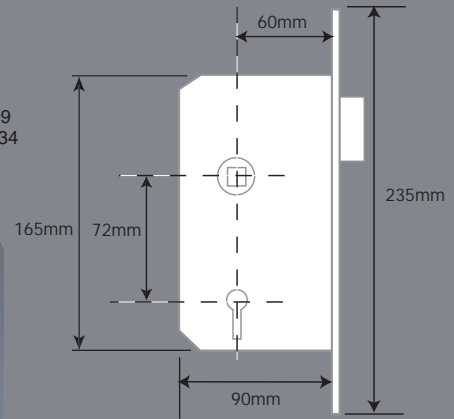
**SECURITY
LOCKS**



HARDWARE



JL1004SS
Conforms to BS-EN 12209
1 hr fire tested BS-EN 1634



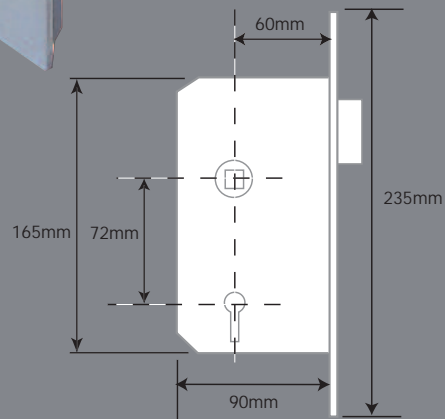
SQUARE FOREND
JL1011 PVD GOLD
RADIUSED FOREND
JL1021 PVD GOLD
JL1021 SS



LATCH

JL1003SS
Conforms to BS-EN 12209
1 hr fire tested BS-EN 1634

SQUARE FOREND
JL1011 PVD GOLD
RADIUSED FOREND
JL1021 PVD GOLD
JL1021 SS

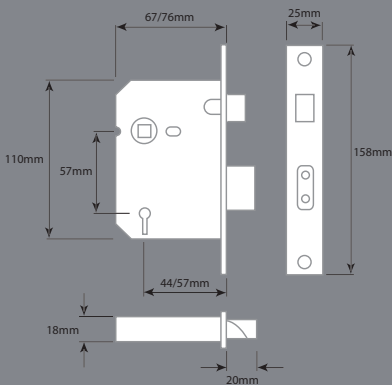
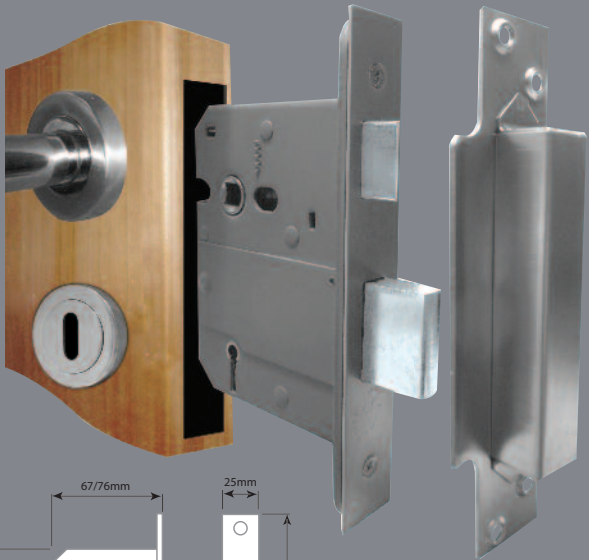


PANIC LOCK

JL1005SSS
Conforms to BS-EN 179
1 hr fire tested BS-EN 1634

SQUARE FOREND
JL1010 PVD GOLD
RADIUSED FOREND
JL1020 PVD GOLD
JL1020 SS

5 LEVER SASHLOCKS

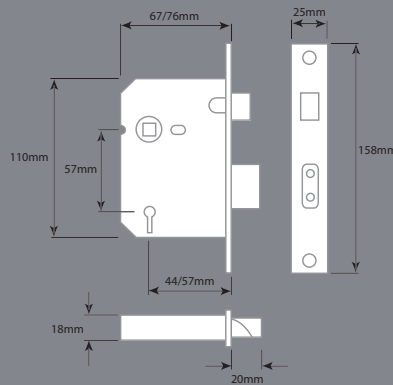
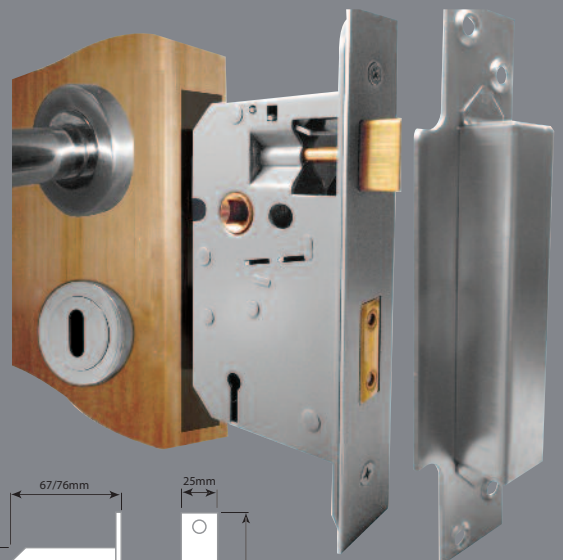


Conforms to BS3621- 2007
1 hr fire tested BS-EN 1634

JL125 PB 67mm
JL126 PB 76mm
JL127 NP 67mm
JL128 NP 76mm

REBATES TO SUIT SASHLOCKS

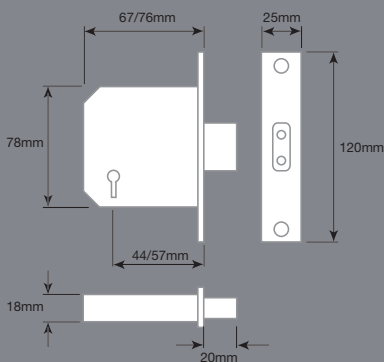
JL9113 EB 13MM REBATE
JL9113 ZP 13MM REBATE



Conforms to BS-EN 12209
1 hr fire tested BS-EN 1634

JL135 PB 67mm
JL136 PB 76mm
JL137 NP 67mm
JL138 NP 76mm

5 LEVER DEADLOCKS

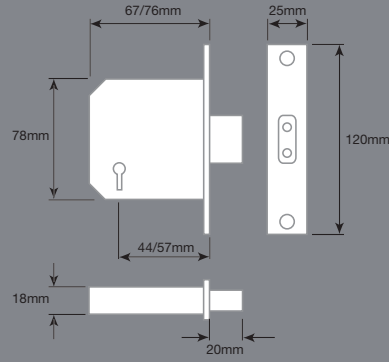
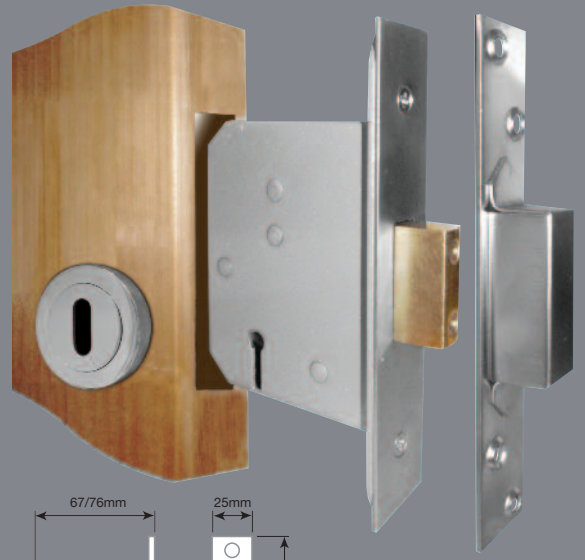


Conforms to BS3621- 2007
1 hr fire tested BS-EN 1634

JL115 PB 67mm
JL116 PB 76mm
JL117 NP 67mm
JL118 NP 76mm

REBATES TO SUIT DEADLOCKS

JL9213 EB 13MM REBATE
JL9213 ZP 13MM REBATE



Conforms to BS-EN 12209
1 hr fire tested BS-EN 1634

JL145 PB 67mm
JL146 PB 76mm
JL147 NP 67mm
JL148 NP 76mm